



BACKYARD SHADEGLIDE INSTALLATION INSTRUCTIONS

801-563-9600

Monday-Friday: 8:00 AM - 5:00 PM
Saturday - Sunday: Closed

www.SugarHouse.us

PARTS AND HARDWARE USED

- (4) Posts
- (4) Post caps
- (4) Post plates
- (4) Crossmembers
- (3) Cables with attached eye bolts
- 3/16" Pan head bolt
- (16) 1/4" x 3" Hex bolts
- (16) 1/4" Washers

Number of people needed to install: 1 – 2

TOOLS/EQUIPMENT REQUIRED:



Phillips
Screwdriver



1/2 Ratchet
or Wrench



7/16th Ratchet
or Wrench



Ladder



Sawhorse
(optional)

PART 1: POST ASSEMBLY

Number of People Required for Assembly: 1

PARTS AND HARDWARE USED:

- (4) Posts
- (4) Post Caps
- (4) Post Plates

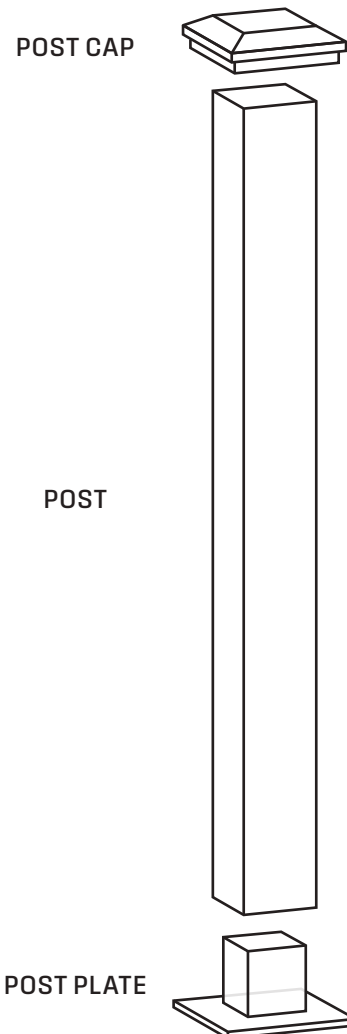
TOOLS/EQUIPMENT REQUIRED:

- Phillips Screwdriver

Optional Equipment:

- Sawhorse

(To install the post components to the posts we recommend lifting up the post from the ground and setting the end of the post you are working on upon the sawhorse).



PART 2: FRAME ASSEMBLY

Number of People Required for Assembly: 2

PARTS AND HARDWARE USED.

- Posts (A)(B)(C) and (D)
- Crossmembers (A)(B)(C) and (D)
 - » Crossmember (D) has attachment points where the Verticool drop shade hardware will mount.
 - » Prior to assembling the frame, select which side the Verticool drop shade will go. This will dictate where posts and crossmembers go during installation.
- (16) 1/4" x 3" hex bolts
- (16) 1/4" washers

TOOLS/EQUIPMENT REQUIRED.

- (2) 6-8' step ladders
- 7/16" socket

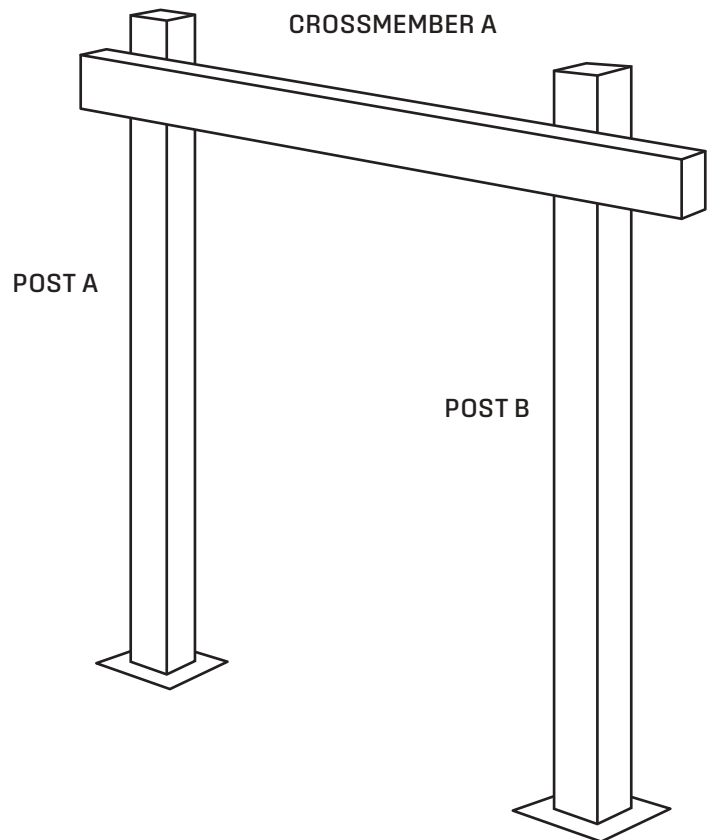
Optional Equipment.

- Sawhorses (2)

STEP 1: CONNECT POST (A) TO POST (B) USING CROSSMEMBER (A)

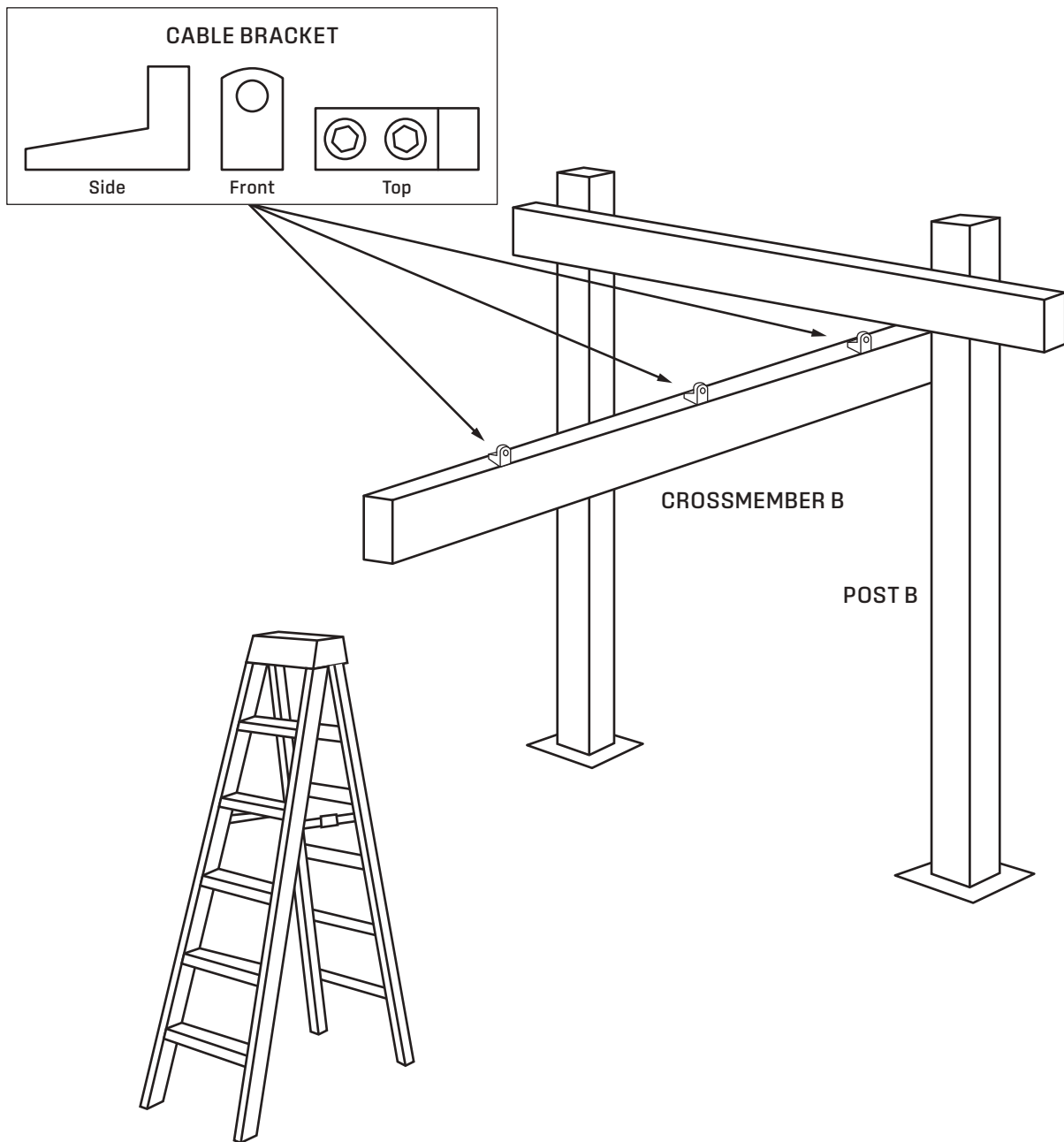
- Take post (A) and attach crossmember (A) using (2) 1/4"x 3" hex bolts and washers.
- Make sure that crossmember (A) is mounted to the upper set of holes in post (A).
- Now connect crossmember (A) to post (B) using (2) 1/4"x 3" hex bolts and washers. Mount to the upper set of holes on post (B).

You should now have your two posts connected using crossmember (A) and be ready to install crossmember (B) to post (B).



STEP 2: INSTALL CROSSMEMBER (B) TO POST (B)

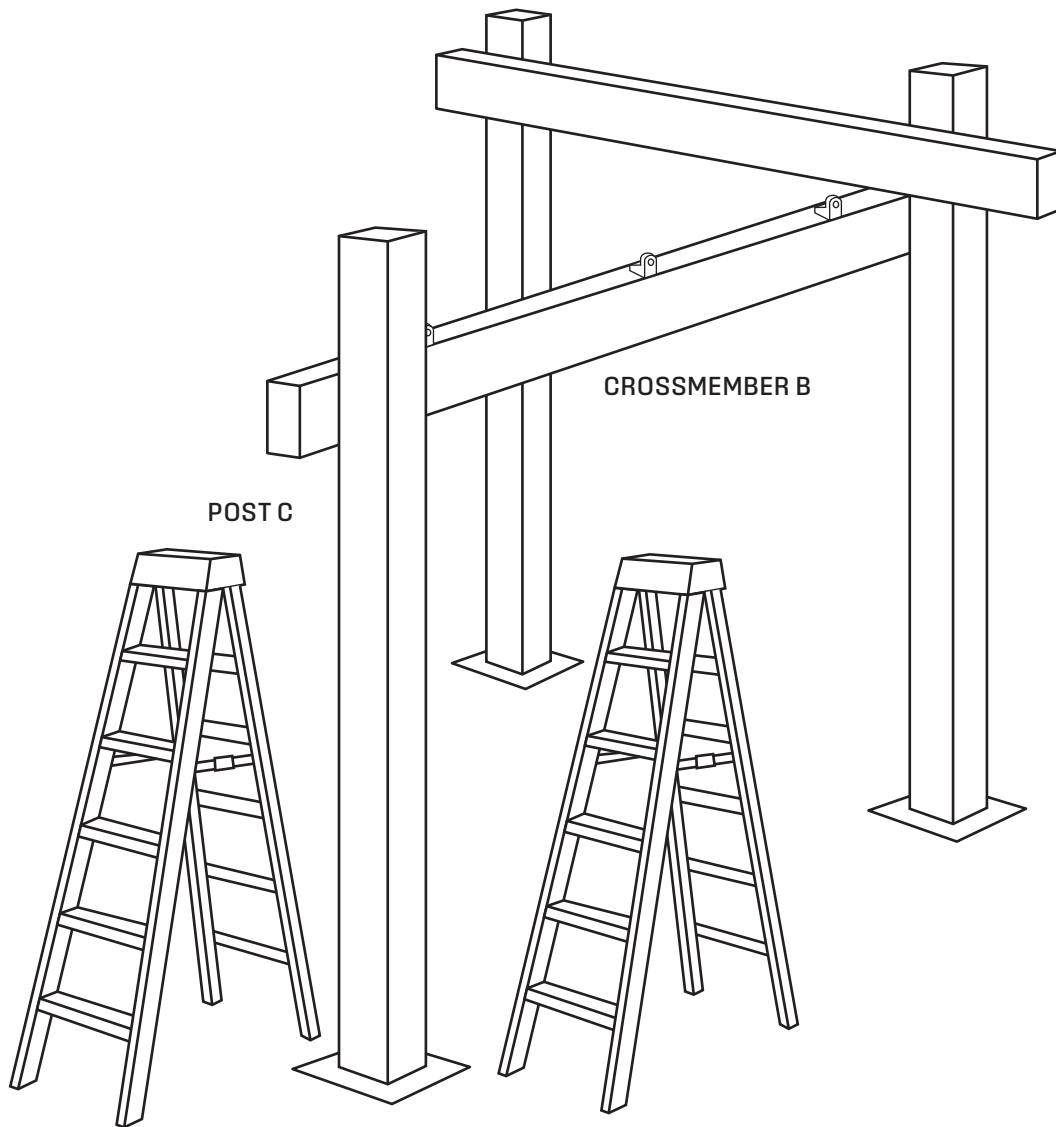
- Using (2) 1/4"x 3" hex bolts and washers attach crossmember (B) to post (B) where you have already attached crossmember (A). Mount into the lower set of holes. You will need one person to hold the frame at a 45-degree angle to allow the mounting holes to line up.



Once you have crossmember (B) attached you are ready to attach post (C) to cross member (B).

STEP 3: ATTACH POST (C)

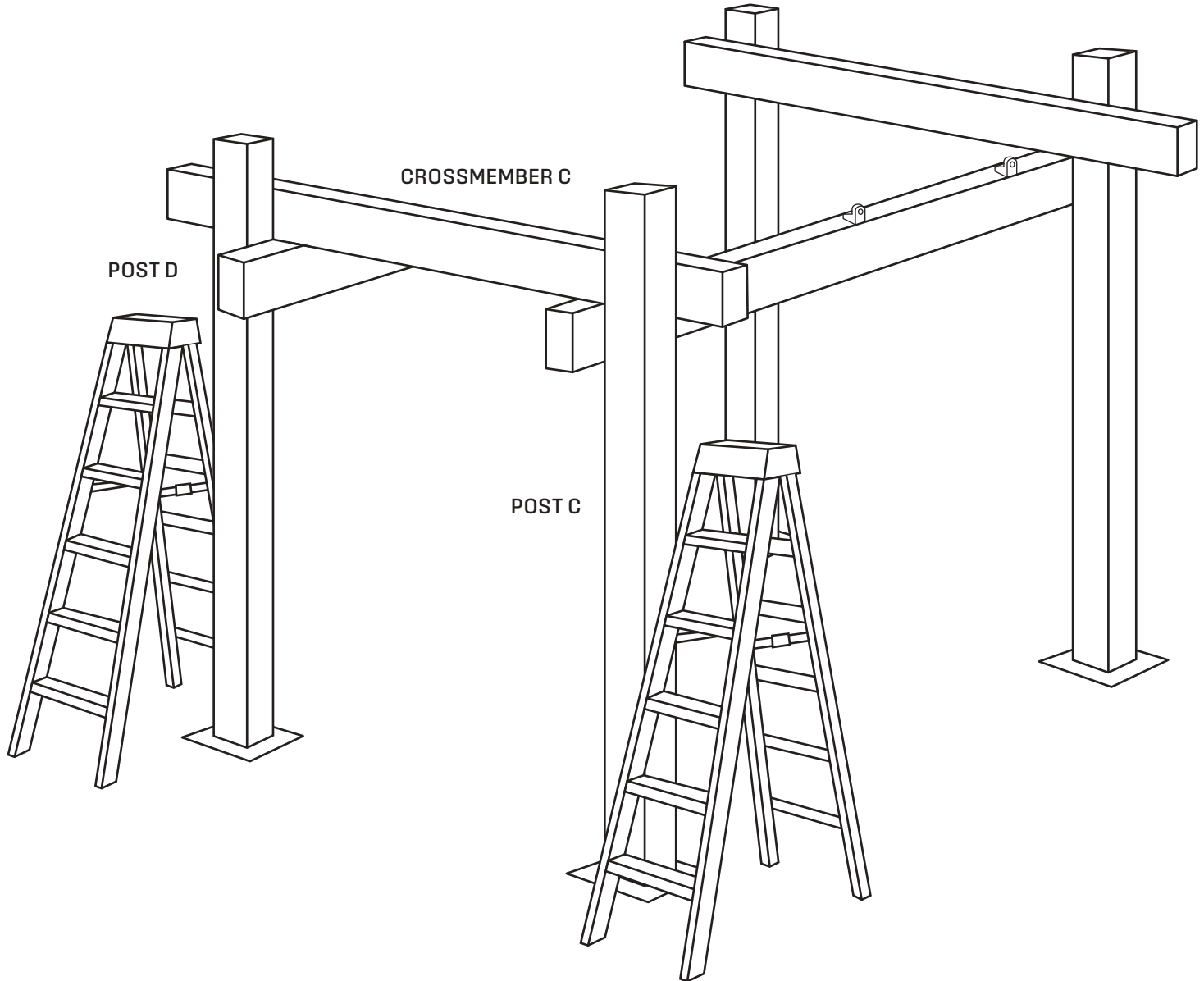
- Using your ladder have one person lift the assembled frame section using crossmember (B) to lift the entire frame section up. While the first person is holding the frame, the second person attaches post (C) while using the second ladder and (2) 1/4"x 3" hex bolts and washers.
- Make sure to mount crossmember (B) to the lower set of mounting holes.



You should now have 3 posts connected with two crossmembers and are now ready to install the crossmember (C).

STEP 4: ATTACH CROSSMEMBER (C) TO POST (C) AND ATTACH POST (D) TO CROSSMEMBER (C)

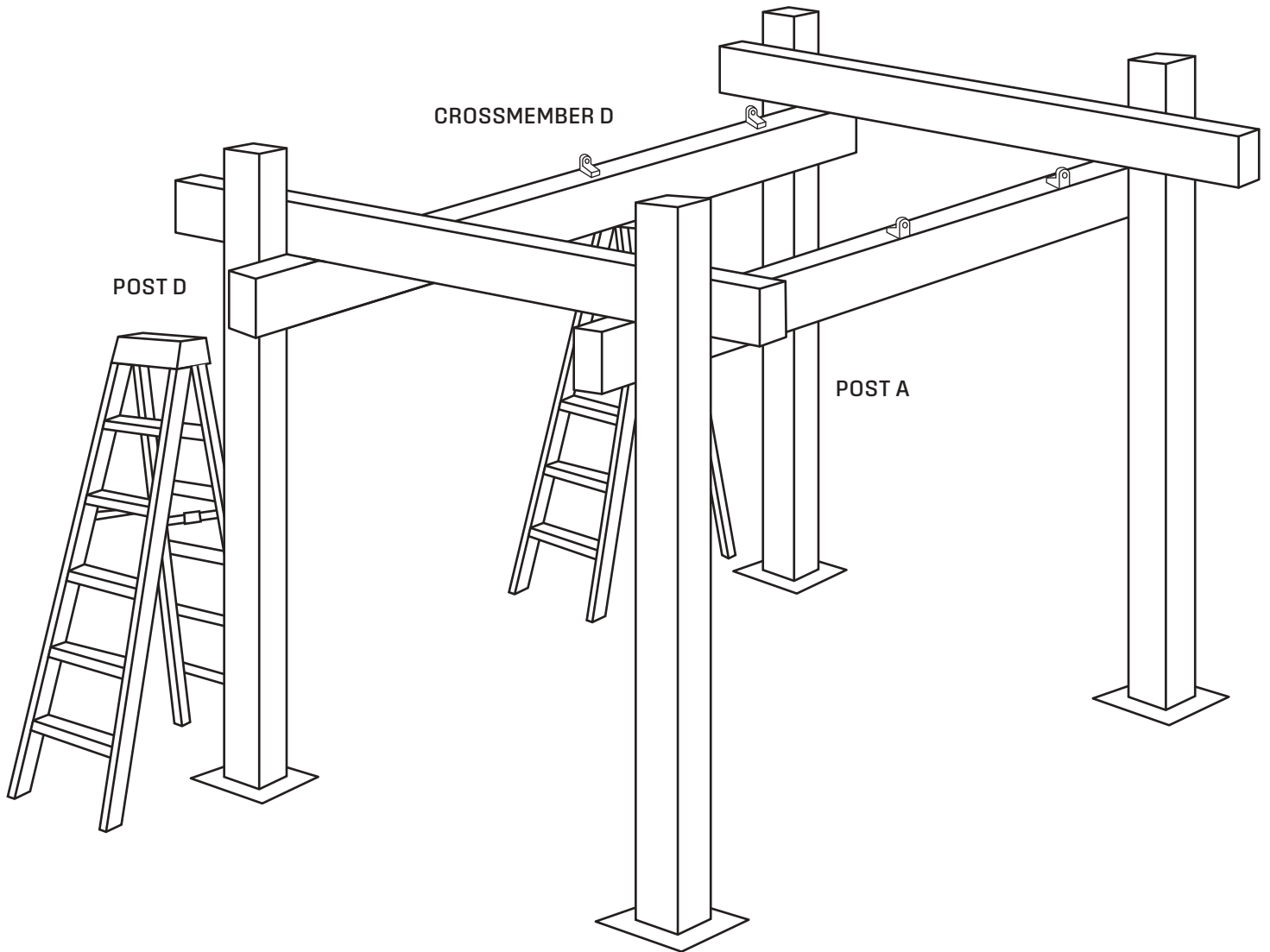
- Set one ladder next to post (C) and the other next to where post (D) will go. Approximately 9' from the first ladder.
- Simultaneously carry crossmember (C) up the ladder and using (2) 1/4"x 3" hex bolts and washers connect crossmember (C) to post (C).
- Once you have that connected you will connect crossmember (C) to post (D) using (2) 1/4"x 3" hex bolts and washers.
- Mount to the upper set of holes on post (C) and (D).



You are now ready to attach the final crossmember (D) to the frame.

STEP 5: COMPLETING THE FRAMEWORK

- Place one ladder at the base of each post, (A) and (D) where you will attach crossmember (D).
- Simultaneously carry the crossmember up the ladders and attach to both posts using (2) 1/4"x 3" hex bolts and washers on each post.



PART 3: INSTALLING THE CABLES AND THE SADE GLIDE PANEL

Number of People Required: 1-2

HARDWARE REQUIRED:

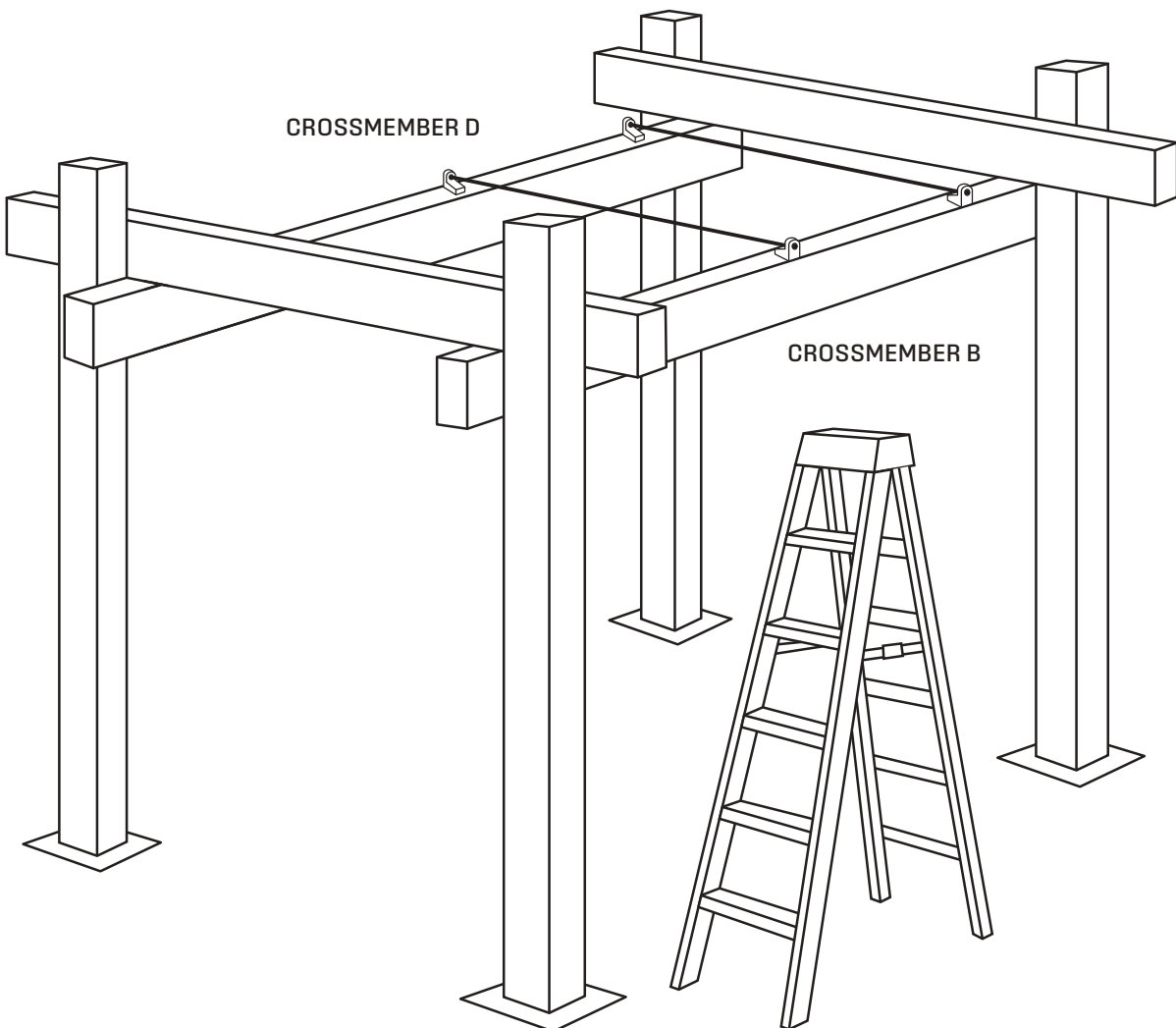
- (3) Cables with attached eye bolts
- 3/16" pan head bolt

TOOLS/EQUIPMENT REQUIRED:

- Ladder (1 or 2)
- 1/2" wrench or socket

STEP 1: INSTALL THE CABLES TO THE CABLE BRACKETS

- Slot the eyebolt attached to the cable through the cable bracket and place the washer and the nut on just enough to ensure they do not come off.
- Leave the eyebolt as loose as possible so you can tighten the cables later.

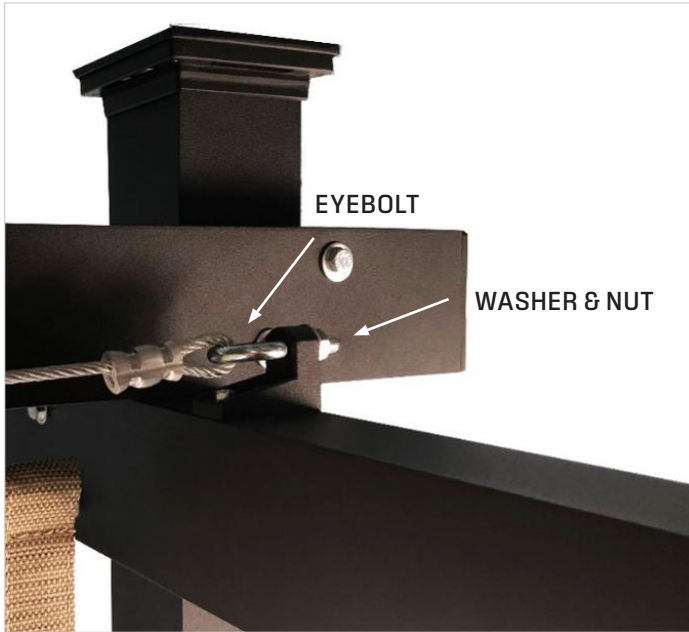


Repeat this step with all three cables.

STEP 2: INSTALL THE CABLES INTO THE CORRESPONDING CABLE BRACKETS

- Using a ladder take the opposite end of the cable up to crossmember (B) and slide the eyebolt through the cable bracket. Using a washer and nut tighten down this eyebolt all the way.
- Careful not to over tighten.

Repeat this process for the remaining cable brackets.



Once you have attached all the cables to the cable brackets go back to the first set of cable brackets and tighten the eyebolts.

STEP 3: INSTALL THE SHADE GLIDE PANEL

- Begin attaching the Shadeglide panel to the center cable.
- Attach the clip to the eye bolt on the cable bracket where you want to stationary side. Clip the rest of the center clips to the cable.
- Repeat this process on each side of the Shade Glide panel ensuring that the stationary end clips are clipped to the eye bolts on the cable brackets.



STEP 4: INSTALL THE MAGNETIC LATCH BOX

- Using a 1/4" countersunk bolt and a 3/8" washer, attach the latch box onto the frame as shown.
- Using (4) #8 screws attach the cover plate to the latch box.

