



# SHADEGLIDE INSTALLATION INSTRUCTIONS

**801-563-9600**

Monday-Friday: 8:00 AM - 5:00 PM  
Saturday - Sunday: Closed

[www.SugarHouse.us](http://www.SugarHouse.us)

**PART 1: INSTALLING THE SUGARHOUSE SHADEGLIDE TABS OR THE SCREW EYES.**

**Part 1(a): Installing the SugarHouse Shadeglide tabs.**

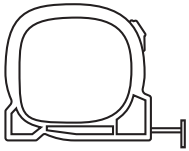
For the installation of the SugarHouse Shadeglide tabs follow the steps in Part 1(a) depending on the framework or structure you are mounting to you will need to use just Step 1(a) OR Step 1(a) AND Step 1(b).

**Number of people needed to install: 1**

**TOOLS REQUIRED FOR THIS PART:**



Pencil



Tape Measure



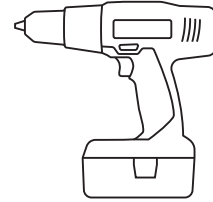
7/16th ratchet  
or wrench



#12 Wood  
Screws



1/4 Drill Bit



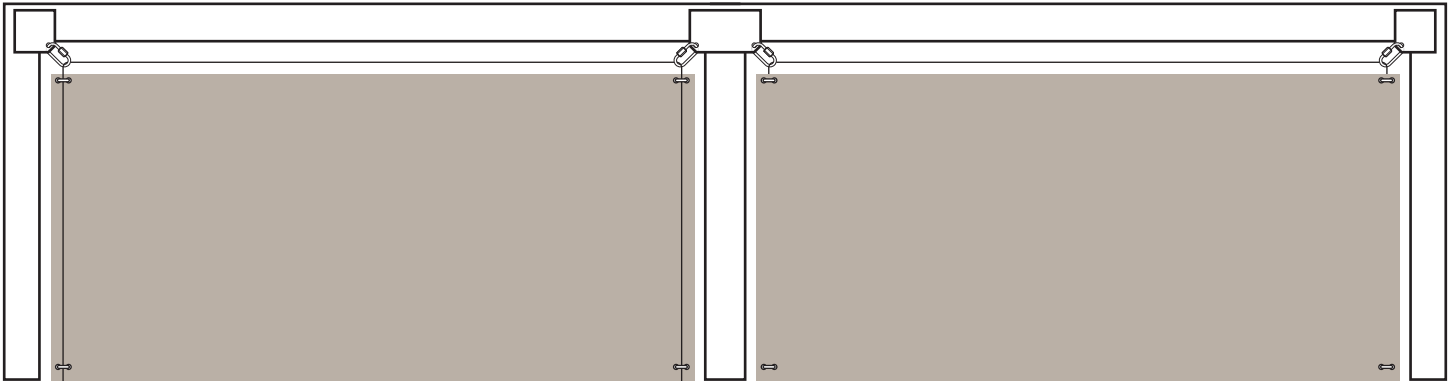
Drill



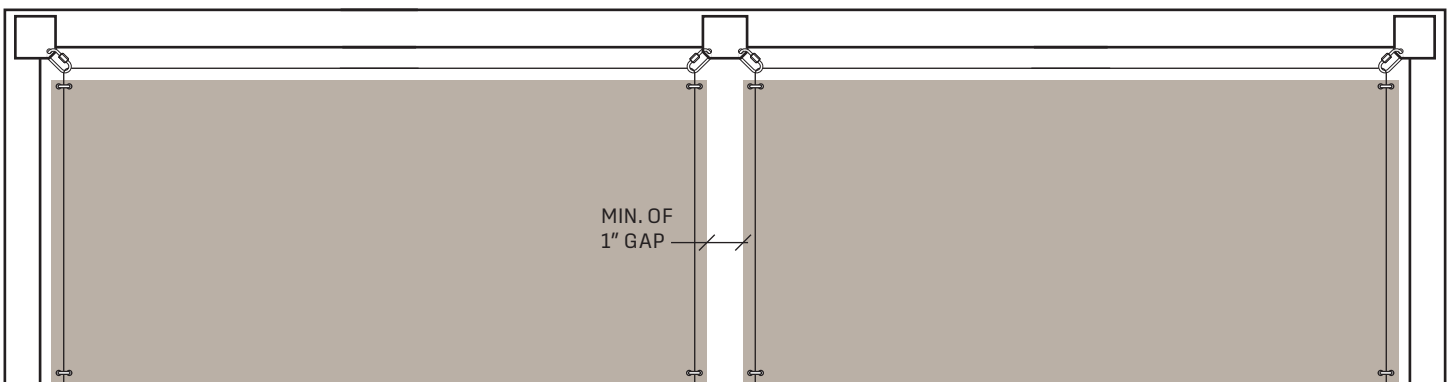
Ladder

**Determining the difference between a fully open framework and a framework with rafters.**

Framework with rafter(s). Step 1 (a)



Framework without rafter(s), or Fully open framework. Step 1 (b)

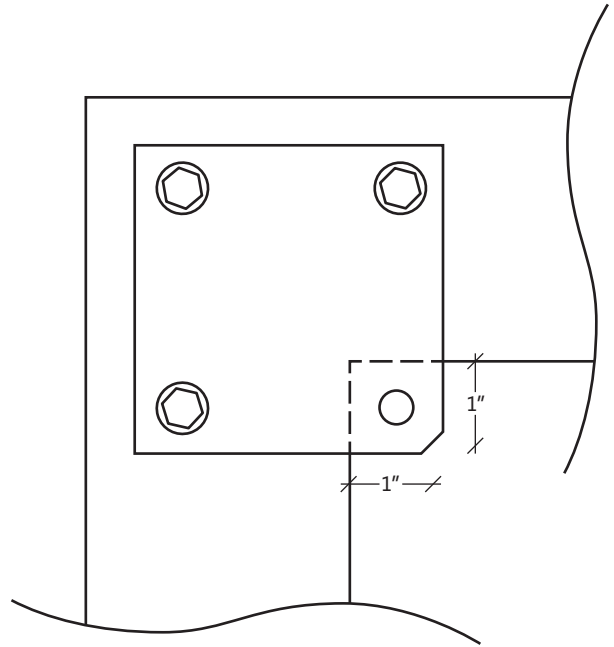


**STEP 1 (A): INSTALLING THE CORNER TABS.**

1. Line the tabs up in each corner so that a 1" square overhangs the opening of the framework.
2. Mark the hole placement and pre-drill the holes using a 1/4" drill bit.
3. Using a 5/16" hex head driver, mount the SugarHouse ShadeSlide tabs with the #12 wood screws.

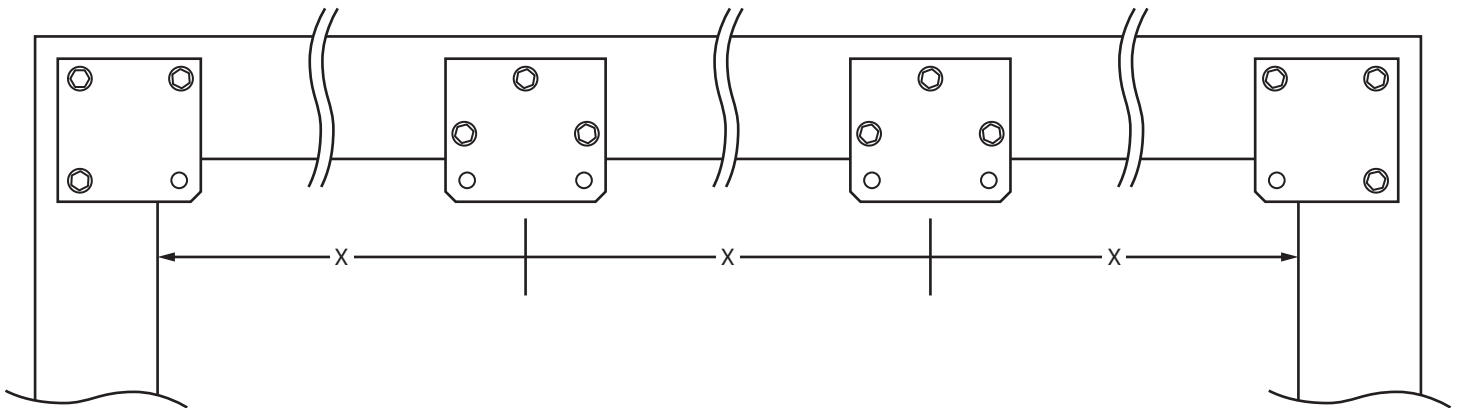
Repeat this process in all 4 corners of the framework.

If your panels each mount inside framework and you have all your corner tabs mounted move to Part 2 Step 1 to attach the quick links.



**STEP 1 (B): MEASURING FOR TAB PLACEMENT ON FULLY OPEN FRAMEWORK.**

1. Mount the corner tabs as directed in step 1 (a).
2. To mount the Center tabs measure from inside edge to inside edge and divide by the number of panels.
3. Using that measurement make a mark at each one of these points.
4. Center the tab on this mark and attach the Center tabs by pre-drilling and using #12 wood screws.

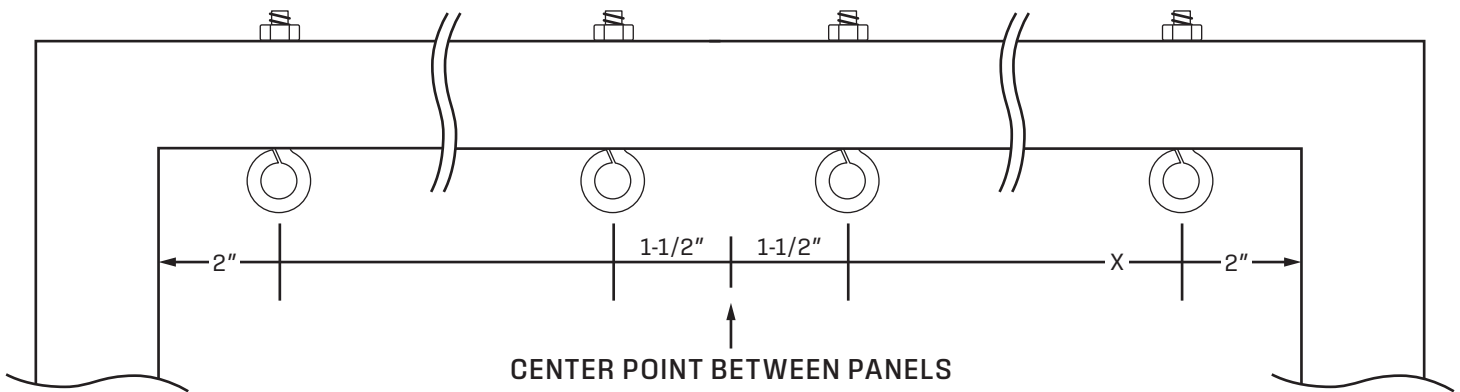


**PART 2: MEASURING AND INSTALLING FOR THE SCREW EYES.**

**STEP 1a: MEASURING FOR THE CORNER SCREW EYES.**

1. Measure 2" from the edge of the framework and mark at the desired height.

Pre-drill using a 1/4" drill bit and place the screw eye.



**STEP 1b: IF YOUR PANELS ARE IN A FULLY OPEN FRAME WORK YOU WILL NEED TO PLACE ADDITIONAL SCREW EYES.**

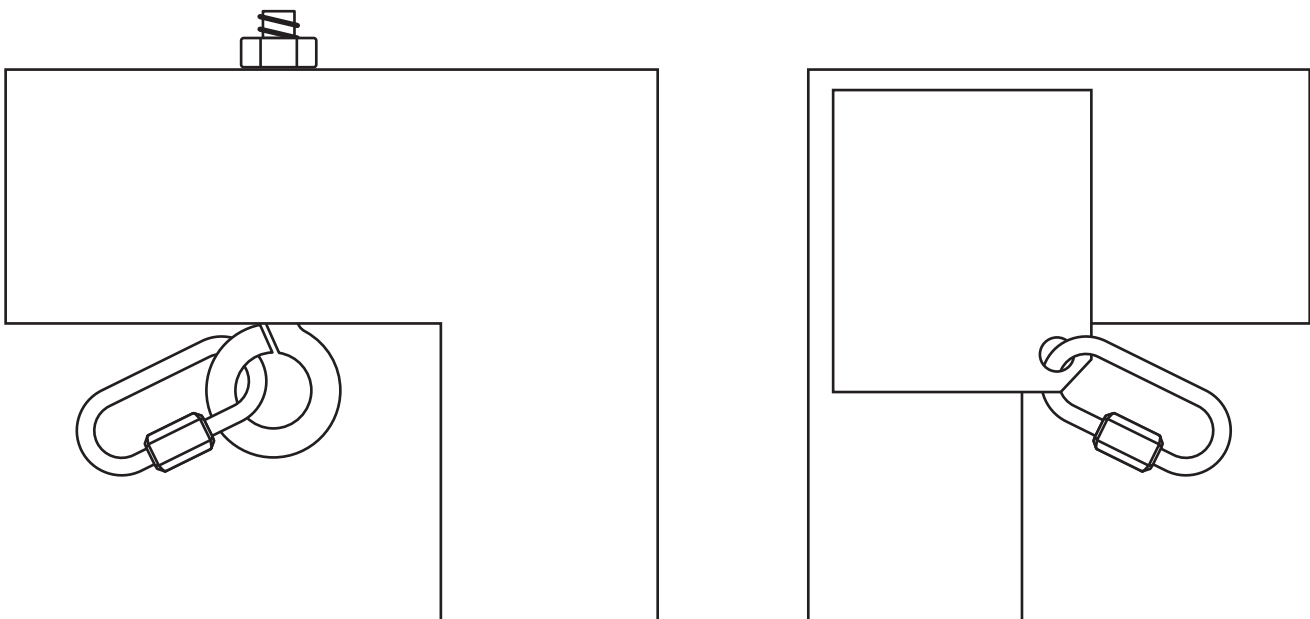
1. Measure the width of the panel plus 1-1/2" from the edge of the framework and make a mark.

2. Make a mark 1-1/2" on both sides of this mark. This will be where you will mount the next screw eyes.

Repeat this step as necessary.

**PART 3: INSTALLING THE CABLE AND THE SUGARHOUSE SHADEGLIDE PANELS.**

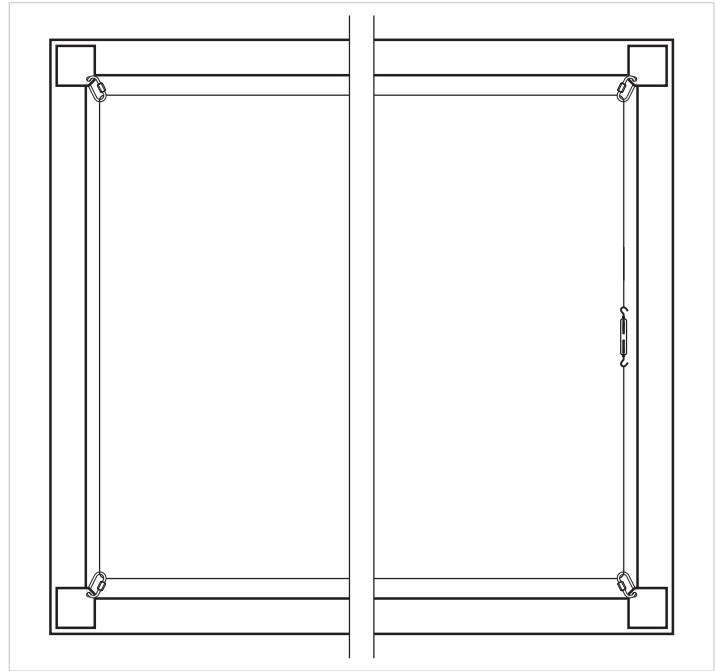
**STEP 1: ATTACH QUICK LINKS TO THE TABS OR SCREW EYES.**



## STEP 2: RUNNING THE CABLE.

1. First determine the stationary side. This is the side where the panels will be when they are retracted.

To run the cable, find the taped end of the cable and run it through the quick links following the diagram.



## STEP 3: MAKE THE LOOP END.

Take the taped end of the cable and run it through both cable clamps as shown in the diagram.

**Do not tighten the clamps at this point.**



## STEP 4: ATTACH THE TURNBUCKLE AND CLAMP CABLE USING CABLE CLAMPS.

1. Once you have run the cable take your turnbuckle and hook it to the cable with the pre-made loop end.
2. Next take the loop you just made and hook the turnbuckle to it.
3. Using the taped end pull the excess cable until all the slack has been taken up. The cable will be pulled through the cable clamps until the cable has no excess slack then tighten the cable clamps using a 7/16th wrench or ratchet.
4. Now you can tighten the turnbuckle to pull the cables tight.

Tighten the cable clamps to ensure the cable wont slip and begin to tighten the turnbuckle.





**STEP 5: ATTACHING THE PANELS TO THE CABLES.**

1. Begin by clamping the snap hooks to the quick links on the stationary end to ensure the panels cannot slide away from this side. Make sure the hook end of the panel is away from the stationary end.

Using the snap hooks, clip your ShadeGlide Panel to the cable.



**STEP 6: USE THE PULL STICK TO EXTEND AND RETRACT YOUR SHADEGLIDE PANELS.**

Using the tab end of the pull stick, insert the tab into the slot on the hook of the ShadeGlide panel to extend and retract your panels. You will also use this to attach the hook to the cable to “lock” the panels in the extended position.

